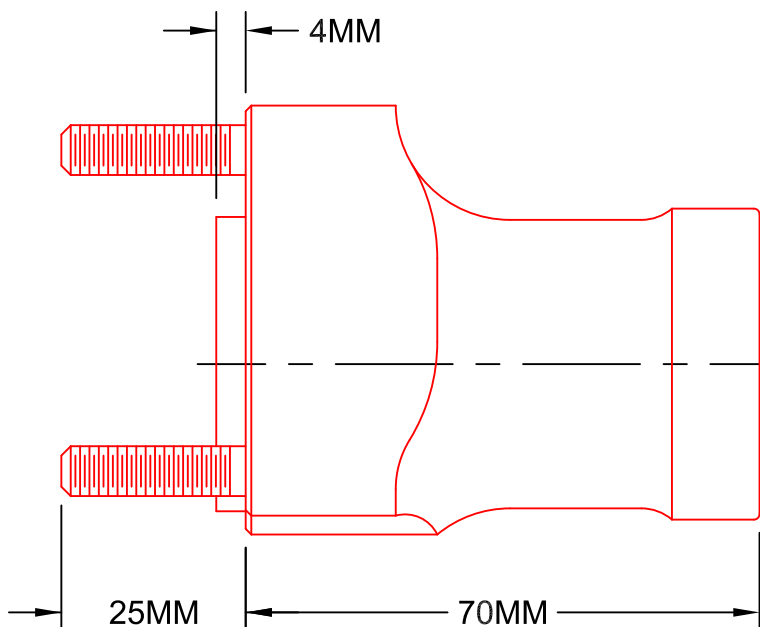
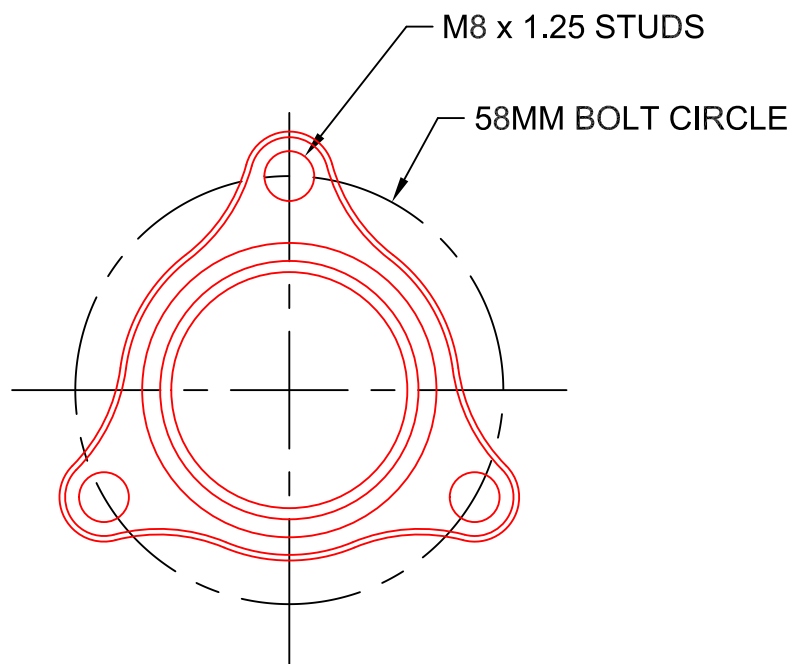


THIS DRAWING IS THE PROPERTY OF
ZERO ERROR RACING, INC. AND MAY
NOT BE REPRODUCED IN ANY FORM
WITHOUT THE EXPRESSED PERMISSION
OF ZERO ERROR RACING, INC.
COPYRIGHT ZERO ERROR RACING, INC.
ALL RIGHTS RESERVED.



SPECIFICATIONS SUBJECT TO CHANGE WITHOUT NOTICE.

ZERO ERROR RACING, INC.

PART NAME:
KARTING
FRONT HUB

DATE: 8/8/12

PART NO: KT1003